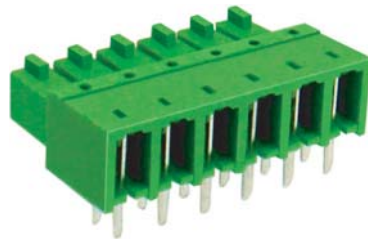
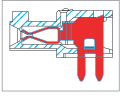


MF213 Connector



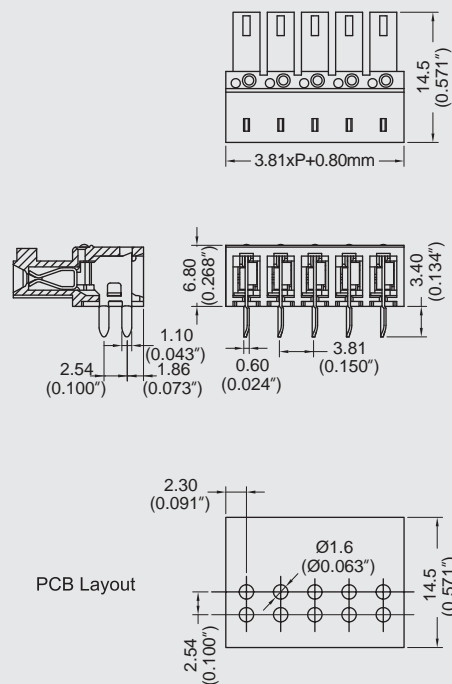
DIMENSIONS/POSITIONS

MF213-381

間距	Pitch	3.81mm
位數	Poles	2 ~ 24Poles
塑膠本體	Housing Material	PA 66
夾片	Wire Protector	Phosphor Bronze, Tin Plated
PCB孔徑	PCB Hole Diameter	1.6mm
環境作業溫度	Operating Temperature	-40°C to +105°C

TECHNICAL DATA

連接符合標準 Connection in acc. with standard EN-VDE		
額定電流 I _n Nominal Current I _n	7A	
額定橫截面 Nominal Cross Section	-	
最大負載電流 Maximum load current	7A	
絕緣材料 Insulating Material	PA	
阻燃等級,符合UL94 Inflammability class acc. to UL94	V0	
額定電壓,UL/CUL Nominal voltage, UL/CUL	300V	
額定電流,UL/CUL Nominal current, UL/CUL	7A	



MF