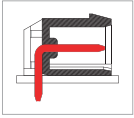


# ME730 Connector, Header with Soldering Pin

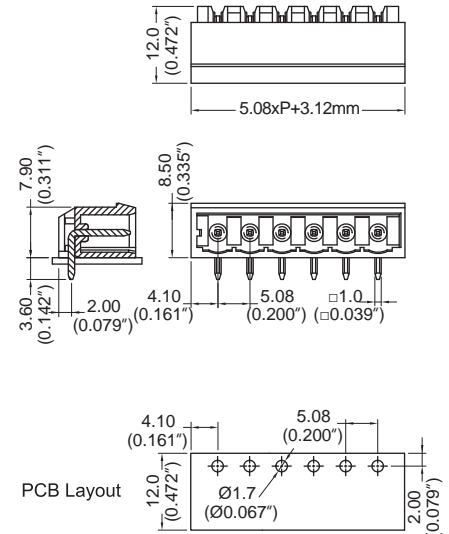
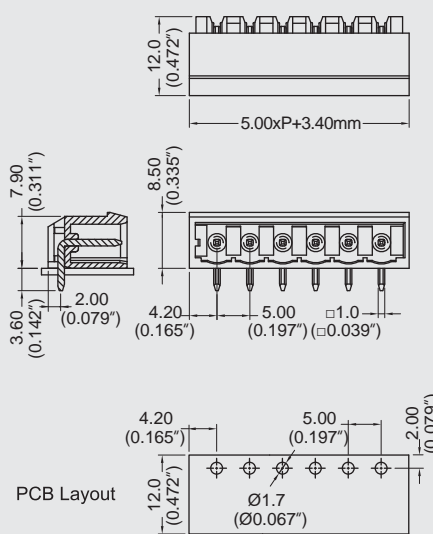


## DIMENSIONS/POSITIONS

DIMENSIONS/POSITIONS		ME730-500	ME730-508
間距	Pitch	5.00mm	5.08mm
位數	Poles	2 ~ 22Poles	2 ~ 24Poles
塑膠本體	Housing Material	PA 66	PA 66
焊針	Pin Dimensions	Phosphor Bronze, Tin Plated	Phosphor Bronze, Tin Plated
PCB孔徑	PCB Hole Diameter	1.7mm	1.7mm
環境作業溫度	Operating Temperature	-40°C to +105°C	-40°C to +105°C

## TECHNICAL DATA

連接符合標準 Connection in acc. with standard EN-VDE			
額定電流 I <sub>n</sub>	Nominal Current I <sub>n</sub>	16A	16A
額定橫截面	Nominal Cross Section	-	-
最大負載電流	Maximum load current	16A	16A
絕緣材料	Insulating Material	PA	PA
阻燃等級,符合UL94 Inflammability class acc. to UL94		V0	V0
額定電壓,UL/CUL Nominal voltage, UL/CUL		300V	300V
額定電流,UL/CUL Nominal current, UL/CUL		16A	16A



ME