



## Ø 22 mm ILLUMINATED, INDICATOR SWITCHES & PUSHBUTTON ( I P65 )

### Product specifications:

#### Switch system

Each contact block has one double break snap action switching mechanism.

#### Switch mode

Momentary or alternate action 1-4 poles.

#### Contact material

Soldering type - silver is standard: socket type - pin with golden plating.

#### Body material

High-grade temperature resistant thermoplastic. Contact housing moulded in electrical high-grade thermoplastic.

#### Operation travel

3.0 mm

#### Actuating force

2-5N depending on no. of contact block.

#### Mechanical life time

> 2 million operations

#### Electrical life time

alternate action	momentary action
5A/250V AC >5.0 X 10 <sup>4</sup> operations	>2.5 X 10 <sup>4</sup> operations
4A/250V AC >1.2 X 10 <sup>5</sup> operations	>6.0 X 10 <sup>4</sup> operations
2A/250V AC >4.0 X 10 <sup>5</sup> operations	>2.0 X 10 <sup>5</sup> operations
1A/250V AC >8.0 X 10 <sup>5</sup> operations	>4.0 X 10 <sup>5</sup> operations

#### Initial contact resistance

<10mΩ current 1A AC. according to IEC 341-1 test 1, silver contact

<15mΩ 20mV. according to IEC 341-1 test II, gold contact.

#### Terminal

diameter of wire 2 X 0.8mm

diameter of standard cable 0.75mm<sup>2</sup> max.

#### Electrical rating

250V AC 5A	125V AC 8A
250V DC 0.2A	24V DC 6A

Max. torque of nut

#### Max. insulation voltage

2000V, 60Hz, min.. between all terminals and ground.

#### Acceleration

> 10g in all 3 planes.

#### Vibration resistance

IEC 68-2-6 test.

#### Soldering heat resistance

280 oC 4 sec..

#### Insulation resistance

ICE 341-1, >1000 Ω 500V DC.

#### Panel thickness

8 mm max.

#### Degree of protection

IP 65

#### Storage temperature

-40 °C to +85 °C

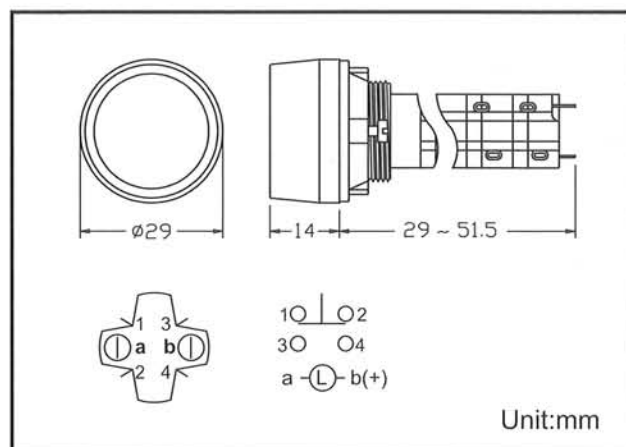
#### Operating temperature

-25 °C to +55 °C with lamp      -25 °C to +70 °C without lamp

#### Alternate action

push-on, push-off.

# Ø 22 SOLDERING TYPE ILLUMINATED SWITCHES & PUSHBUTTON SWITCHES



## D16 SOLDERING TYPE PUSHBUTTON SWITCHES

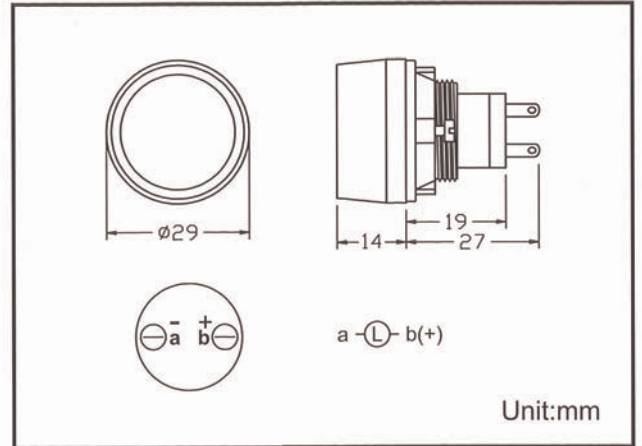
Description	Type	Contact block diagram (button not depressed)	Mounting Length	Model
Illuminated or non-illuminated pushbutton 1 pole momentary action	SPST		29	1ab
Illuminated or non-illuminated pushbutton 2 pole momentary action	DPST		36.5	2ab
Illuminated or non-illuminated pushbutton 3 pole momentary action	3PST		44	3ab
Illuminated or non-illuminated pushbutton 4 pole momentary action	4PST		51.5	4ab
Illuminated or non-illuminated pushbutton 1 pole alternate action	SPST		29	1ab
Illuminated or non-illuminated pushbutton 2 pole alternate action	DPST		36.5	2ab
Illuminated or non-illuminated pushbutton 3 pole alternate action	3PST		44	3ab
Illuminated or non-illuminated pushbutton 4 pole alternate action	4PST		51.5	4ab

Note:

As usual, silver contactors are commonly used. However, if it is used for small signal, we wish to recommend the use of gold plated contactors for which you are most welcome to contact with us for detailed specifications.

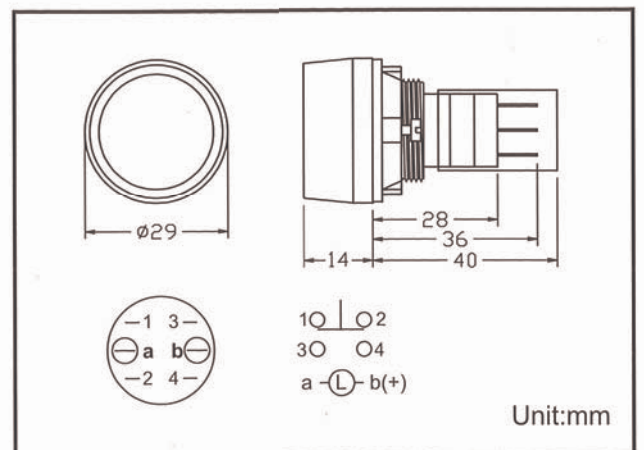
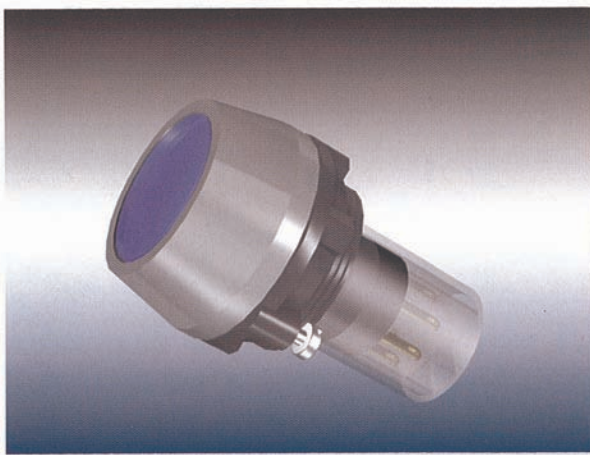


# Ø 22 PILOT INDICATOR & SOCKET TYPE ILLUMINATED SWITCHES



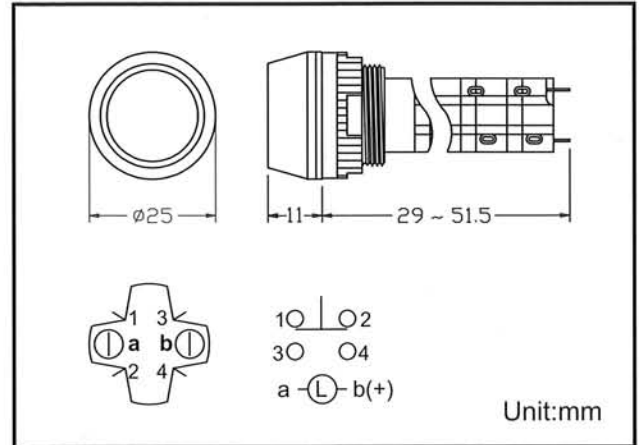
## D16 PILOT INDICATOR

Description	Type	Contact block diagram (button not depressed)	Mounting Length	Model
Indicator			27	
Illuminated or non-illuminated pushbutton 1 pole momentary action	SPST		40	1ab
Illuminated or non-illuminated pushbutton 1 pole alternate action	SPST		40	1ab



## P16 SOCKET TYPE ILLUMINATED SWITCHES

# Ø 22 SOLDERING TYPE ILLUMINATED SWITCHES & PUSHBUTTON SWITCHES



## D16 SOLDERING TYPE PUSHBUTTON SWITCHES

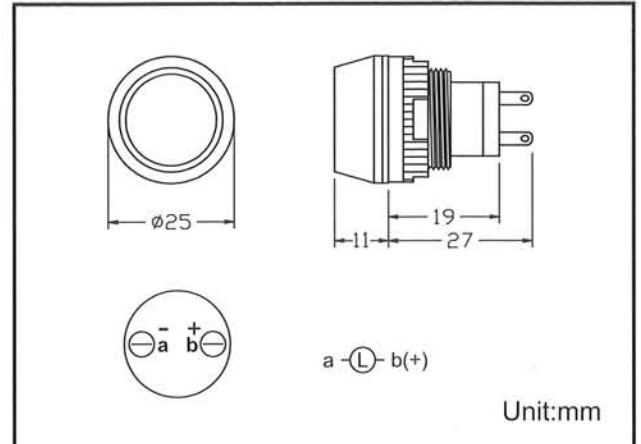
Description	Type	Contact block diagram (button not depressed)	Mounting Length	Model
Illuminated or non-illuminated pushbutton 1 pole momentary action	SPST		29	1ab
Illuminated or non-illuminated pushbutton 2 pole momentary action	DPST		36.5	2ab
Illuminated or non-illuminated pushbutton 3 pole momentary action	3PST		44	3ab
Illuminated or non-illuminated pushbutton 4 pole momentary action	4PST		51.5	4ab
Illuminated or non-illuminated pushbutton 1 pole alternate action	SPST		29	1ab
Illuminated or non-illuminated pushbutton 2 pole alternate action	DPST		36.5	2ab
Illuminated or non-illuminated pushbutton 3 pole alternate action	3PST		44	3ab
Illuminated or non-illuminated pushbutton 4 pole alternate action	4PST		51.5	4ab

**Note:**

As usual, silver contactors are commonly used. However, if it is used for small signal, we wish to recommend the use of gold plated contactors for which you are most welcome to contact with us for detailed specifications.

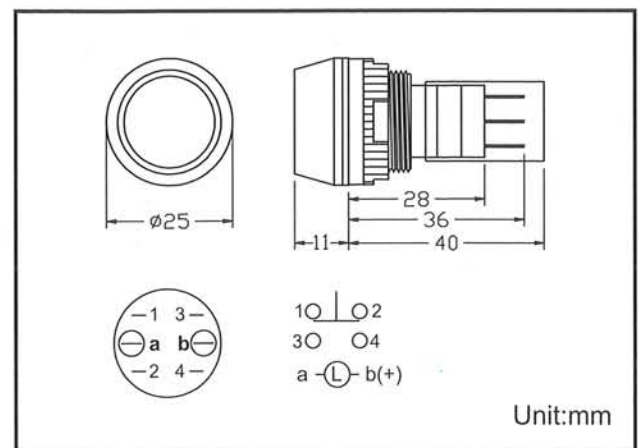


# Ø 22 PILOT INDICATOR & SOCKET TYPE ILLUMINATED SWITCHES



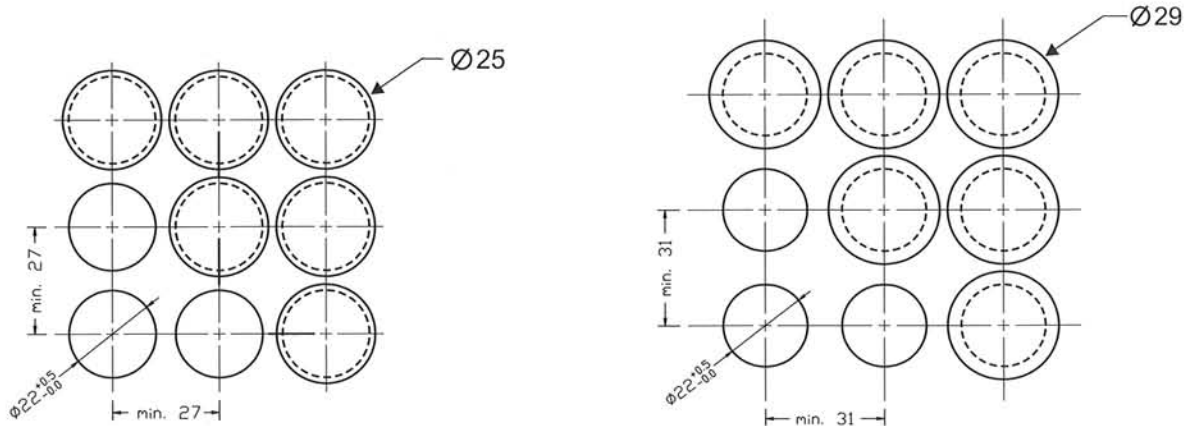
## D16 PILOT INDICATOR

Description	Type	Contact block diagram (button not depressed)	Mounting Length	Model
Indicator			27	
Illuminated or non-illuminated pushbutton 1 pole momentary action	SPST		40	1ab
Illuminated or non-illuminated pushbutton 1 pole alternate action	SPST		40	1ab



## P16 SOCKET TYPE ILLUMINATED SWITCHES

## Mounting dimensions (mm):



## Order Information:

Order No.:

### Series

D16: Soldering type & indicator  
P16: Socket type

### Functions

LA: Illuminated pushbutton with alternate action  
LM: Illuminated pushbutton with momentary action  
PL: Pilot indicator

### Pushbutton head

U1:  $\phi$  29 mm plastic ring (Grey) - standard  
U2:  $\phi$  29 mm metal ring - optional  
V1:  $\phi$  25 mm plastic ring (Grey) - standard  
V2:  $\phi$  25 mm metal ring - optional

### Len Color

B: Blue G: Green  
O: Orange R: Red  
W: White Y: Yellow

### Contact Arrage

000: Non contact  
1ab: 1NO+1NC  
2ab: 2NO+2NC  
3ab: 3NO+3NC  
4ab: 4NO+4NC

### Lamp & Voltage

0: Without lamp  
A: Lamp 6V AC/DC 200mA  
B: Lamp 14V AC/DC 80mA  
C: Lamp 28V AC/DC 40mA  
F: Neon 110V AC G/R  
G: Neon 220V AC G/R  
H: LED 6V DC G/Y/R  
J: LED 12V DC G/Y/R  
K: LED 24V DC G/Y/R

### Order Example:

If you want to order a  $\phi$ 29mm illuminated pushbutton switch with a yellow color lens 6V DC 200mA lamp 3NO+3NC contacts, alternated action. It's order no. will be : **D16LAU1-3abAY**

If you want to order a  $\phi$ 25mm pilot indicator with a red color lens 28V DC 40mA lamp. It's order no. will be : **D16PLV1-000CR**